

Actuated Valves

Type 09343 - Actuated Gate Valve



Cryogenic-Gate Valves with Pneumatic Actuator, PN50

air pressure for operation 4.0 bar g (maximal 10.0 bar g),
 Stainless steel body and topwork,
 Actuator - air opens, spring closes
 one way tightening (in flow direction),
 "live loaded" gland packing
 "cleaned and degreased for oxygen service" - the actuator is not cleaned and degreased for oxygen

Part No. 09343.X.T02*

* Butt weld connection for stainless steel pipes acc. to ISO 1127 or ASTM A312

Part No. 09343.X.T024

Socket weld connection for stainless steel pipes acc. to ISO 1127 or ASTM A312

Available options - on request only:

· other connections are in preparation

Applications:

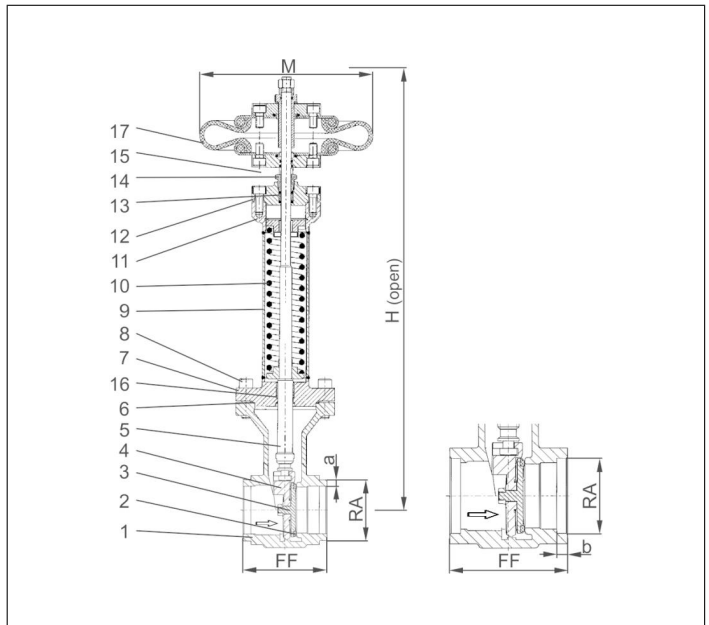
Approved for air gases, vapours and cryogenic liquefied gases incl. LNG.

Working temperature: -196°C / -321°F (77K) up to +120°C / +248°F (393K)



Materials	DIN EN	ASTM
1 Body	1.4308	A 351 CF8
2 Valve seal	PTFE / Carbon filled (25%)	
3 Disc	CW452K	B 159 UNS C51900
4 Wedge	1.4308	A 351 CF8
5 Stem	1.4301	A 276 Grade 304
6 Bonnet gasket	PTFE	
7 Headpiece	1.4308	A 351 CF8
8 Bolts	1.4301/A2	A 194 B8
9 Elongation tube	1.4541	A 213 TP 321
10 Spring	1.4571	A 313 Grade 316Ti
11 Flange	1.4301	A 276 Grade 304
12 Headpiece	1.4301	A 276 Grade 304
13 Gland packing	Graphite / PTFE	
14 Gland nut	1.4305	A 276 Grade 303
15 Pillars	1.4301	A 276 Grade 304
16 Bush	CW452K	B 159 UNS C51900
17 Actuator	Rubberchuk	

Standard marking acc. to Pressure Equipment Directive 97/23/EC (PED).



Type 09343 - Standard design	Technical data						
Nominal size	DN	25	40	50	65	80	100
Dimension code	.X.	2533	4048	5060	657x	8088	0114
Face-to-face dimension	FF	133	133	110	110	110	130
Height	H	500	560	590	630	650	880
Outside pipe-Ø ISO 1127	RA	33.7	48.3	60.3	76.1	88.9	114.3
Wall thickness pipe ISO 1127	a	2.6	2.0	2.0	2.6	3.2	3.2
Outside pipe-Ø ASTM A312	RA	33.4	48.26	60.33	73.03	88.90	114.30
Wall thickness pipe ASTM A312	a	dimensions acc. to S10 or S40					
Socket depth	b	8	13	16	16	16	20
Actuator-Ø	M	229	229	229	229	229	229
Weight	ca. kg	9.9	11.1	13.5	14.9	17.5	30.2
Kvs-Value	m ³ /h	43	93	125	283	310	792
Cv-Value	gal/min	51	111	149	337	369	943

Dimensions in mm.